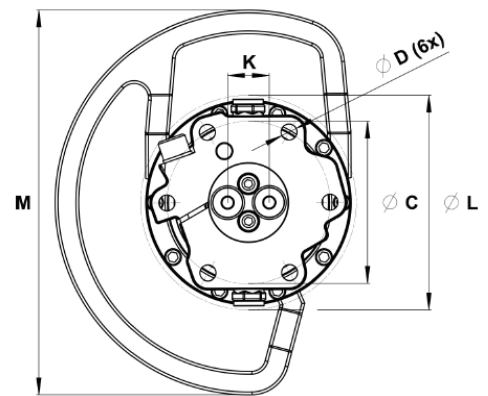
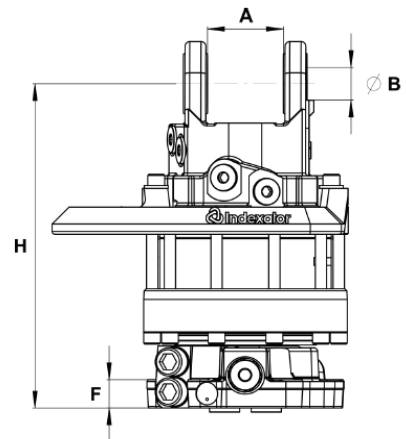


# Indexator / GV 124



## KEY FEATURES

- Fitted with extra hydraulic channels which make it possible to install additional equipment, such as grapple saws and harvester heads.
- Robust, tried and tested design
- Superior material selection
- Low pressure drops

<b>A</b>	80,5
<b>B</b>	Ø35
<b>C</b>	Ø173
<b>D</b>	Ø17
<b>F</b>	30
<b>H</b>	345
<b>K</b>	44
<b>L</b>	Ø229
<b>M</b>	410

## MODEL SPECIFICATIONS



GV 124 S

59

10

250

25

360°

2200

1/2" / 3/4"

# INTERMERCATO®

High performance lift and load attachments for Forestry, Transport, Construction and Recycling.

