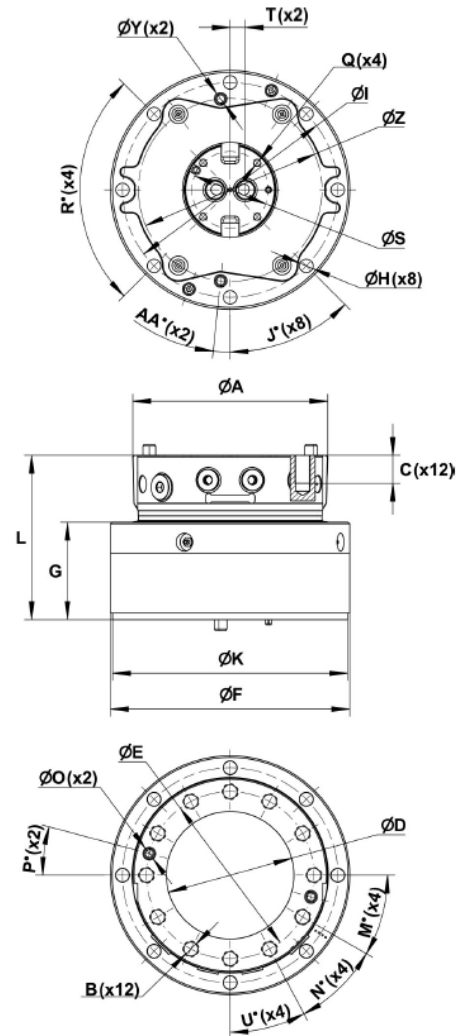


Indexator / XR 300 LS

KEY FEATURES

- Designed for high pressures
- Endless rotation
- Optimized positioning performance
- High torque
- Ultra compact design

A	B	D	E	F	G	H	I	L
244,7	M20	160	210	300	122,3	17	270	206,3



MODEL SPECIFICATIONS



XR 300 LS	77	30	250/350	28	360°	3000	1/2"/3/4"
-----------	----	----	---------	----	------	------	-----------

INTERMERCATO®
HIGH PERFORMANCE LIFT & LOAD ATTACHMENTS

High performance lift and load attachments for Forestry, Transport, Construction and Recycling.

