

Worm Drive

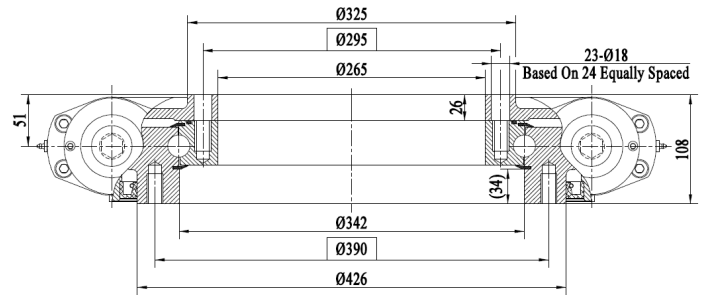
SPECIALLY DESIGNED LOW RATIO WORM DRIVES FOR SAFE AND SMOOTH OPERATION



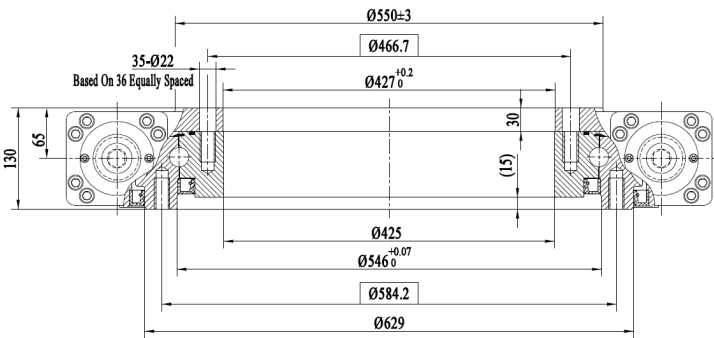
KEY FEATURES

- High torque
- Exact positioning
- High axial and radial load capacity
- Compact rotary joint as option for endless rotation
- Double motor versions for extra power

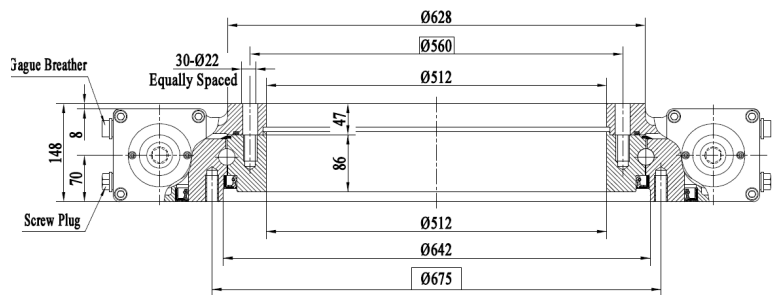
WD 21/2



WD 14/2



WD 25/2



MODEL SPECIFICATIONS



ROTATION SPEED

MODEL	Kg	Bar	l/min	ROTATION SPEED
WD 14/2	89	70	2x18	4300 3,8 rpm
WD 21/2	186	100	2x18	6100 3,4 rpm
WD 25/2	217	120	2x20	7800 3,1 rpm

