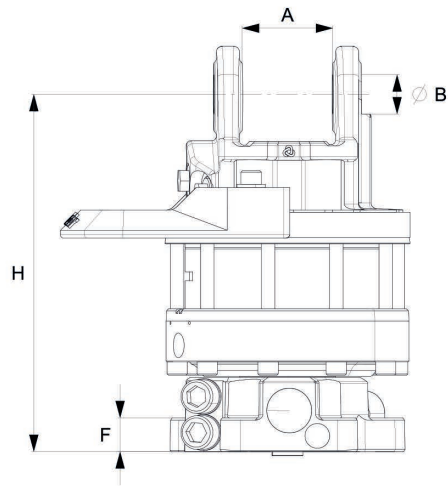


Indexator / GV 12

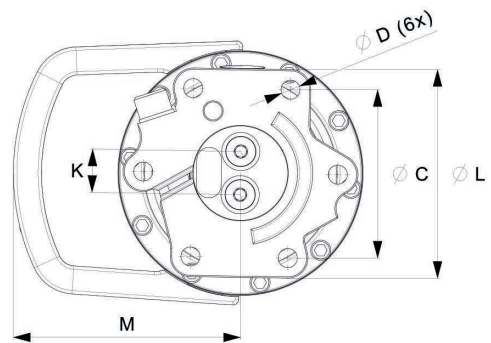


KEY FEATURES

- Endless rotation
- High torque
- Optimized positioning performance
- Hose protection included



A	80,5
B	Ø35
C	Ø173
D	Ø17
F	30
H	317
K	38,5
L	Ø209
M	202



MODEL SPECIFICATIONS



GV 12

54,2

10

250

25

360°

2200

1/2"

12

25

INTERMERCATO®

High performance lift and load attachments for Forestry, Transport, Construction and Recycling.

