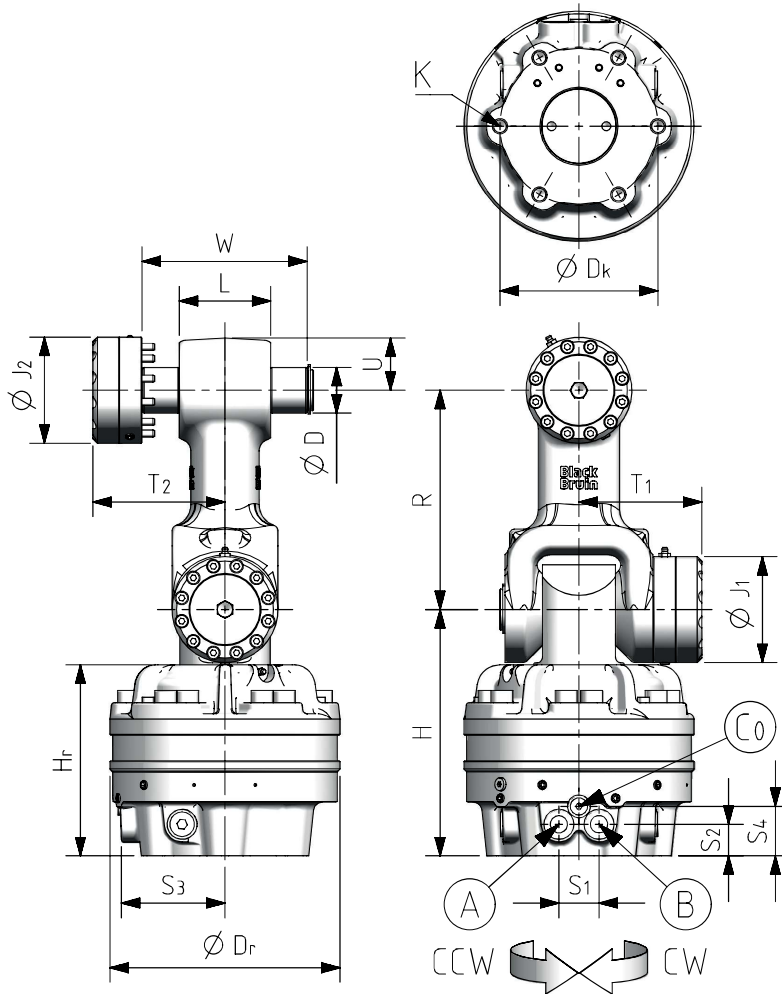


DIMENSIONS



Connections		P_{max}
A	G1/2" rotate CCW	25 MPa
B	G1/2" rotate CW	25 MPa
Co	G1/4" case drain	

Main dimensions

H	270	R	240
Dr	252	Hr	209 rotating part

S1	44	S2	34,5	S3	112
S4	54				
J1	116	T1	135		
J2	116	T2	145		

Tool interface dimensions

Dk	173
K	M16 depth 62 (6 x 60°) with Ø17 depth 30 clearance

Link interface dimensions

D	45 f7, bushings for Ø50 H7		
L	100 0/-0,2	W	181 +1/+0,5
U	57		

Interface details: 2779000000

TECHNICAL DETAILS

Performance

Axial load capacity	static	F_{sta}	150 kN
	dynamic	F_{dyn}	75 kN
	compressive	F_{com}	65 kN
Torque per 1 MPa		T	120 Nm
	max. torque [25 MPa]	T_{max}	3000 Nm
Max. rotation speed		n_{max}	30 rpm
Total weight		m	89,5 kg

Link swing damping

Pivot joint - Rotator to link	Brake S
Brake design	Spring loaded, Adjustable
Brake torque range	800...1100 Nm
Pivot joint - Crane to link	Brake S
Brake design	Spring loaded, Adjustable
Brake torque range	800...1100 Nm

Paint	black primary coat
-------	--------------------

Hydraulics

Recommended oilflow	Q_{rec}	20 l/min
rotation restrictors included		
Displacement per rotation	V	788 cm ³
cross-over relief valves incl.	p_{lim}	26 MPa

