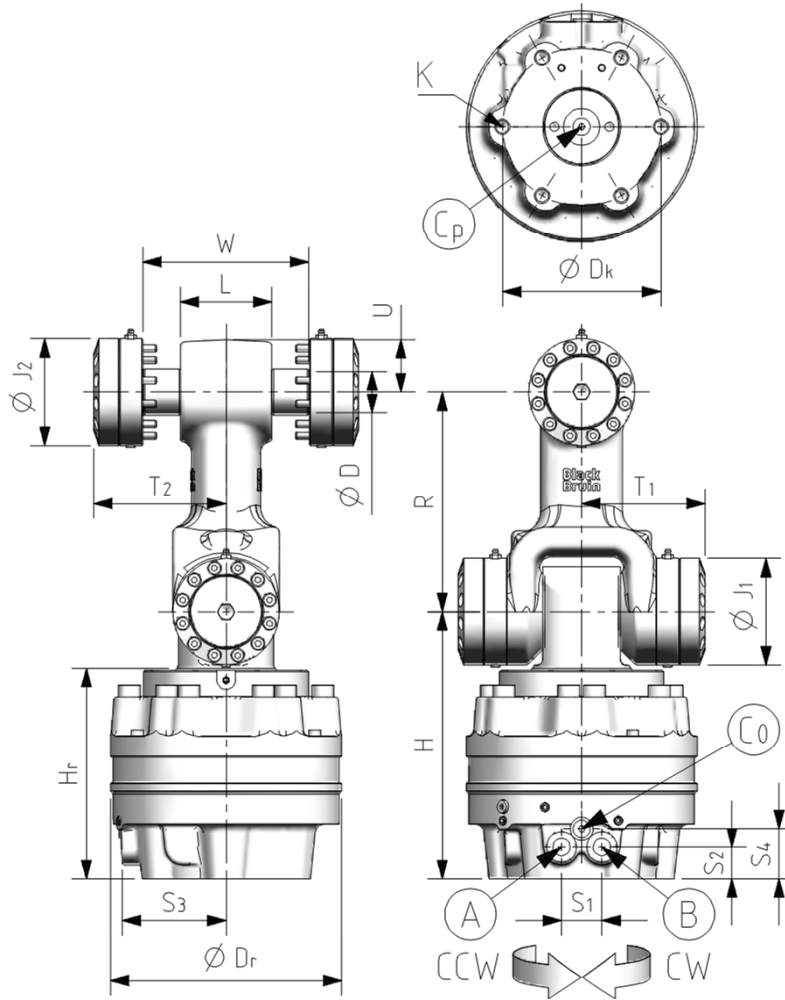


DIMENSIONS



Connections	P_{max}
A G1/2" rotate CCW	29* MPa
B G1/2" rotate CW	29* MPa
Co G1/4" case drain	
Cp G1/4" case drain (alt.)	

* without case drain P_{max} 25 MPa

Main dimensions

H 291	R 310
Dr 252	Hr 228 rotating part

S1 44	S2 34,5	S3 112
S4 54		
J1 116	T1 137	
J2 116	T2 145	

Tool interface dimensions

Dk 173
K M16 depth 62 (6 x 60°) with Ø17 depth 30 clearance

Link interface dimensions

D 45 f7, bushings for Ø50 H7	
L 100 0/-0,2	W 182 +1/+0,5
U 57	

Interface details: 2779000010

TECHNICAL DETAILS

Performance

Axial load capacity	static	F_{sta}	160 kN
	dynamic	F_{dyn}	80 kN
	compressive	F_{com}	65 kN
Torque per 1 MPa		T	120 Nm
	max. torque [29 MPa]	T_{max}	3480 Nm
Max. rotation speed		n_{max}	30 rpm
Total weight		m	109,5 kg

Link swing damping

Pivot joint - Rotator to link	2 x Brake S
Brake design	Spring loaded, Adjustable
Brake torque range	1600...2200 Nm
Pivot joint - Crane to link	2 x Brake S
Brake design	Spring loaded, Adjustable
Brake torque range	1600...2200 Nm

Paint	black primary coat
-------	--------------------

Hydraulics

Recommended oilflow	Q_{rec}	20 l/min
rotation restrictors included		
Displacement per rotation	V	788 cm ³
relief valves not included		

