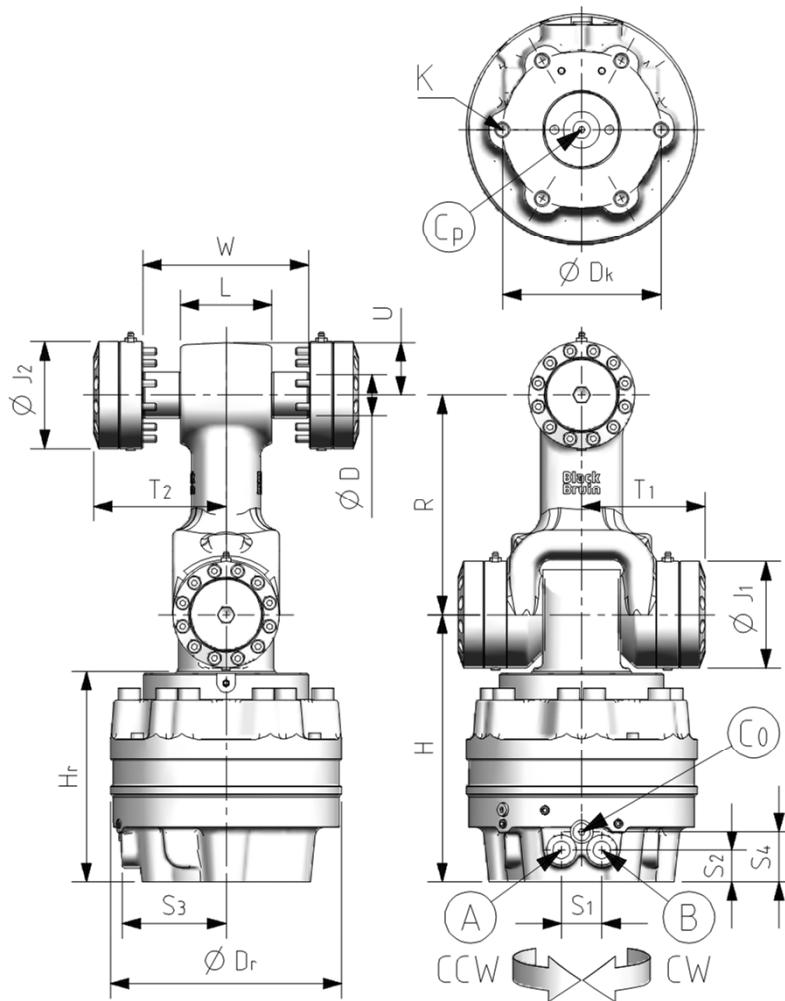


DIMENSIONS



Connections

Connection	Description	P _{max}
A	G1/2" rotate CCW	29* MPa
B	G1/2" rotate CW	29* MPa
Co	G1/4" case drain	
Cp	G1/4" case drain (alt.)	

* without case drain P_{max} 25 MPa

Main dimensions

H	291	R	240
Dr	252	Hr	228 rotating part

S1	44	S2	34,5	S3	112
S4	54				
J1	116	T1	137		
J2	116	T2	145		

Tool interface dimensions

Dk	173
K	M16 depth 62 (6 x 60°) with Ø17 depth 30 clearance

Link interface dimensions

D	45 f7, bushings for Ø50 H7		
L	100 0/-0,2	W	182 +1/+0,5
U	57		

Interface details: 2779000010

TECHNICAL DETAILS

Performance

Axial load capacity	static	F _{sta}	160 kN
	dynamic	F _{dyn}	80 kN
	compressive	F _{com}	65 kN
Torque per 1 MPa		T	120 Nm
	max. torque [29 MPa]	T _{max}	3480 Nm
Max. rotation speed		n _{max}	30 rpm
Total weight		m	106,5 kg

Link swing damping

Pivot joint - Rotator to link	2 x Brake S
Brake design	Spring loaded, Adjustable
Brake torque range	1600...2200 Nm
Pivot joint - Crane to link	2 x Brake S
Brake design	Spring loaded, Adjustable
Brake torque range	1600...2200 Nm

Paint	black primary coat
-------	--------------------

Hydraulics

Recommended oilflow	Q _{rec}	20 l/min
rotation restrictors included		
Displacement per rotation	V	788 cm ³
relief valves not included		

