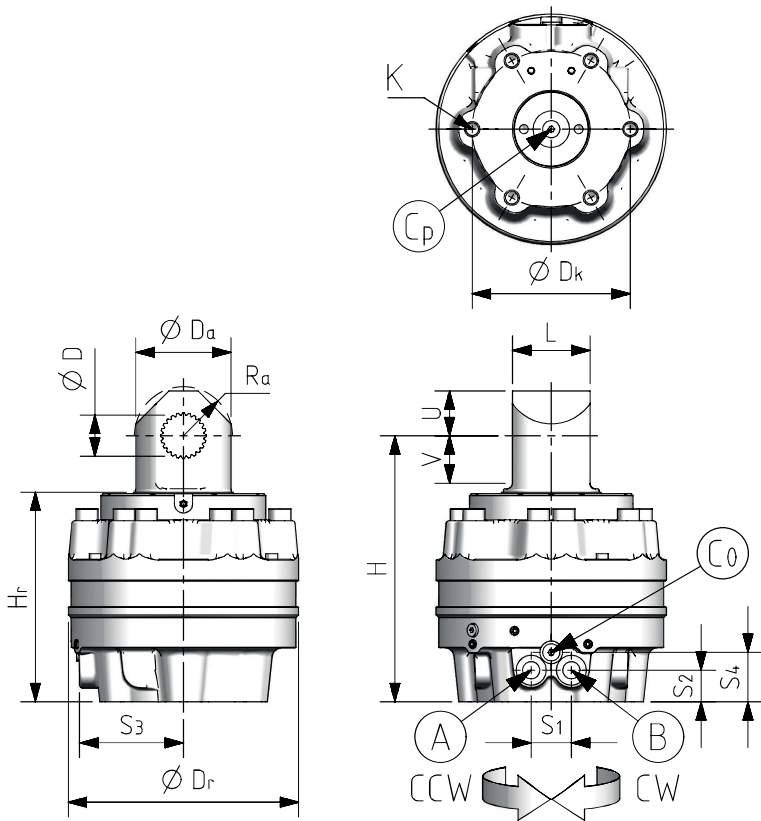


DIMENSIONS



Connections	P_{max}
A G1/2" rotate CCW	29* MPa
B G1/2" rotate CW	29* MPa
Co G1/4" case drain	
Cp G1/4" case drain (alt.)	

* without case drain P_{max} 25 MPa

Main dimensions

H	291	R	
Dr	252	Hr	228 rotating part

S1	44	S2	34,5	S3	112
S4	54				

Tool interface dimensions

Dk	173
K	M16 depth 62 (6 x 60°) with Ø17 depth 30 clearance

Link interface dimensions

D	A50x45 DIN5482, through		
L	85 0/-0,15	Da	104
U	49	Ra	54
		V	52

TECHNICAL DETAILS

Performance

Axial load capacity	static	F_{sta}	160 kN
	dynamic	F_{dyn}	80 kN
	compressive	F_{com}	65 kN
Torque per 1 MPa		T	120 Nm
	max. torque [29 MPa]	T_{max}	3480 Nm
Max. rotation speed		n_{max}	30 rpm
Total weight		m	66 kg

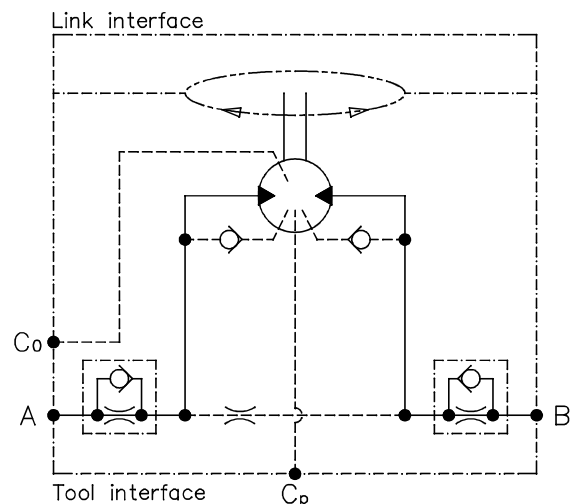
Link swing damping

none

Paint black primary coat

Hydraulics

Recommended oilflow	Q_{rec}	20 l/min
rotation restrictors included		
Displacement per rotation	V	788 cm ³
relief valves not included		



Technical information contained in this publication is subject to change at any time without prior notice. For the latest information visit our website or contact Sampo Hydraulics Ltd. or its representative.