

GRX®

4-FINGER GRAB

Bent body in Strenx® 700 high strength structural steel

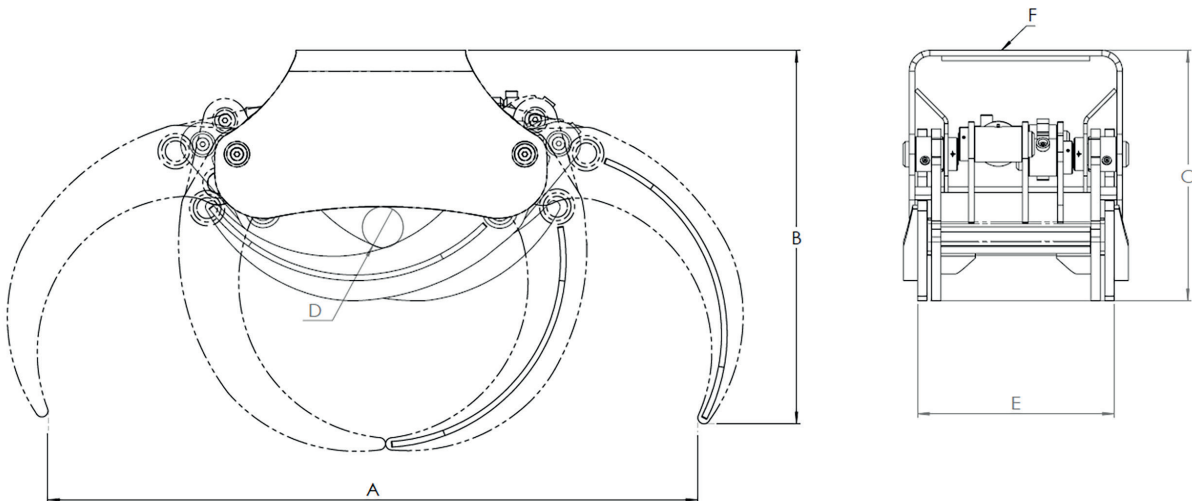
Claws in Hardox® 450 wear-resistant steel

Check valve and accumulator optional on GRX 20-4, 25-4 & 30-4



Universal hole pattern for

Angled excavator attachment | RMR compact rotator | WDR worm drive



**MAXIMUM STRENGTH.
IDEAL WEIGHT.**

	GRX 10-4	GRX 15-4	GRX 20-4	GRX 25-4	GRX 30-4
A	970	940	1234	1385	1587
B	465	570	688	790	839
C	345	385	485	533	592
D	60	63	78	85	105
E	333	367	377	419	443
F	140x140 M16 Centre Ø110	140x140 M16 205/10 M12 Centre Ø110	140x140 M16 270/16 M16 Centre Ø145	140x140 M16 270/16 M16 Centre Ø145	270/16 M16 340/16 M20 Centre Ø180

**MODEL
SPECS**



GRX 10-4	64	0,10	200	20	7,2	1,5-3
GRX 15-4	87	0,12	200	20	7,2	3-6
GRX 20-4	157	0,19	250	30	11,3	5-9
GRX 25-4	236	0,24	250	40	14,9	8-13
GRX 30-4	293	0,29	300	50	18,3	12-18



**MOUNTED WITH
RMR COMPACT ROTATOR**



Model



GRX 10-4 / RMR 2	84	970	1,5-2,5
GRX 10-4 / RMR 3	92	970	1,5-3
GRX 15-4 / RMR 3	125	940	2-3,5
GRX 15-4 / RMR 6 C	148	940	3-6
GRX 20-4 / RMR 6 C	222	1234	3,5-6
GRX 20-4 / RMR 8	255	1234	5-8
GRX 25-4 / RMR 8	332	1385	6-8
GRX 25-4 / RMR 12	347	1385	7-12
GRX 30-4 / RMR 12	385	1587	7-12
GRX 30-4 / RMR 16 C	457	1587	12-18