

GRX®

LOG GRAB

Bent body in Strenx® 700 high strength structural steel

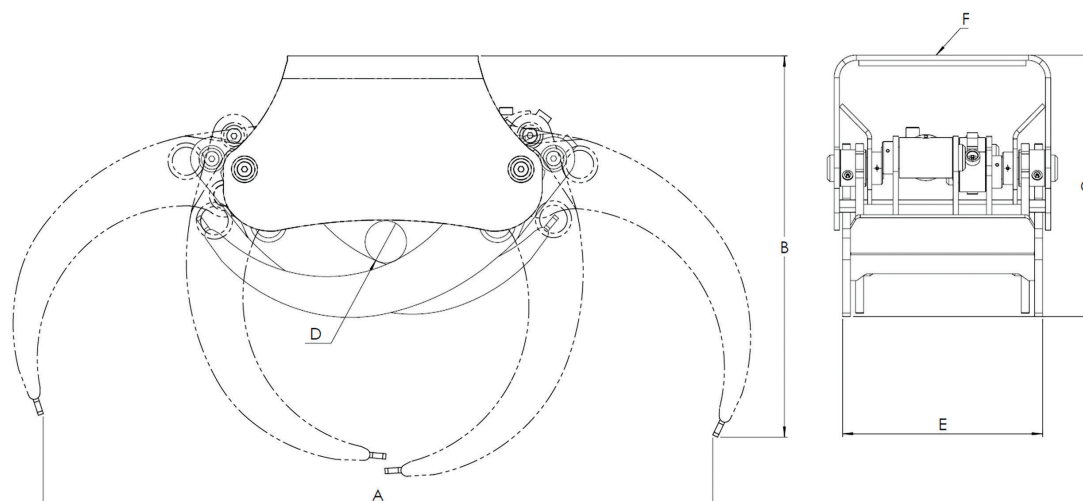
Claws in Hardox® 450 wear-resistant steel

Check valve and accumulator optional on GRX 20, 25 & 30



Universal hole pattern for

Angled excavator attachment | RMR compact rotator | WDR worm drive



**MAXIMUM STRENGTH.
IDEAL WEIGHT.**

	GRX 10	GRX 15	GRX 20	GRX 25	GRX 30
A	976	930	1262	1424	1600
B	504	618	705	812	836
C	350	398	485	543	585
D	60	63	78	85	105
E	333	316	377	419	443
F	140x140 M16 Centre Ø110	140x140 M16 205/10 M12 Centre Ø110	140x140 M16 270/16 M16 Centre Ø145	140x140 M16 270/16 M16 Centre Ø145	270/16 M16 340/16 M20 Centre Ø180



MODEL SPECS	Kg	m ²	Bar	l/min	kN	ton
GRX 10	68	0,11	200	20	7,2	1,5-3
GRX 15	91	0,14	200	20	7,2	3-6
GRX 20	165	0,20	250	30	11,3	5-9
GRX 25	238	0,25	250	40	14,9	8-13
GRX 30	290	0,30	300	50	18	12-18

MOUNTED WITH RMR COMPACT ROTATOR



Model	Kg	mm	ton
GRX 10 / RMR 2	88	976	1,5-2,5
GRX 10 / RMR 3	96	976	1,5-3
GRX 15 / RMR 3	122	930	2-3,5
GRX 15 / RMR 6 C	145	930	3-6
GRX 20 / RMR 6 C	219	1262	3,5-6
GRX 20 / RMR 8	252	1262	5-8
GRX 25 / RMR 8	325	1424	6-8
GRX 25 / RMR 12	340	1424	7-12
GRX 30 / RMR 12	382	1600	7-12
GRX 30 / RMR 16 C	454	1600	12-18